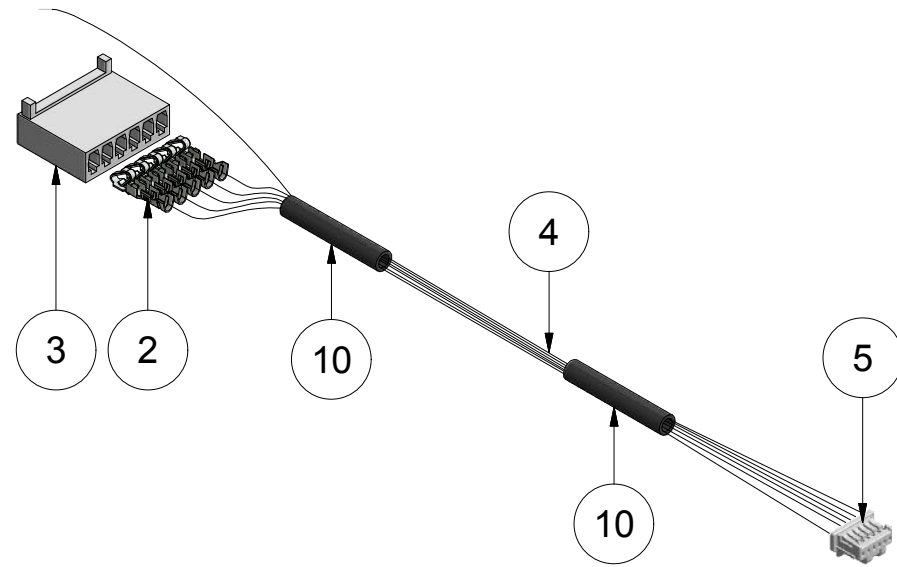
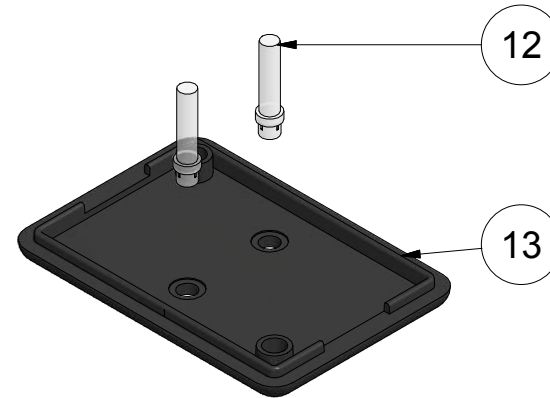


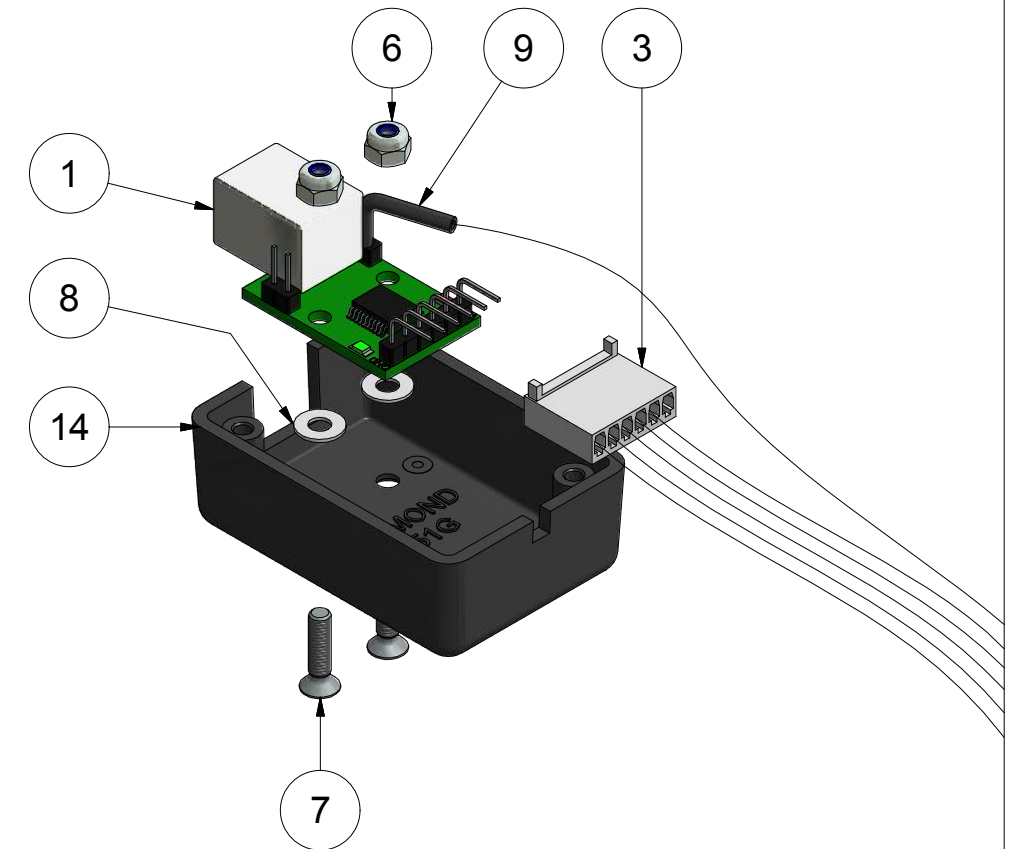
Wiring Assembly  
See Sheet 2



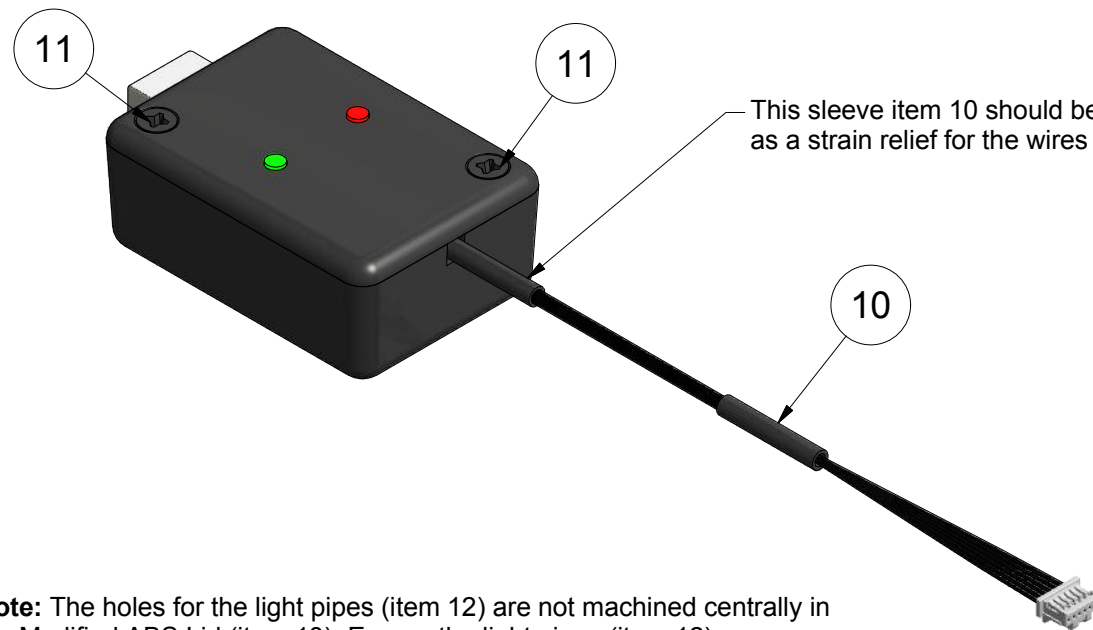
Lid Assembly



Base Assembly



ISSUE	CIN No	DATE	SIG
01	ORIG	06/10/14	RB



**Note:** The holes for the light pipes (item 12) are not machined centrally in the Modified ABS Lid (item 13). Ensure the light pipes (item 12) are correctly aligned with the LED's on the USB-ISS Enhanced i2C Module (Item 1) by rotating the Modified ABS Lid & Light Pipe assembly through 180° to check the correct orientation.

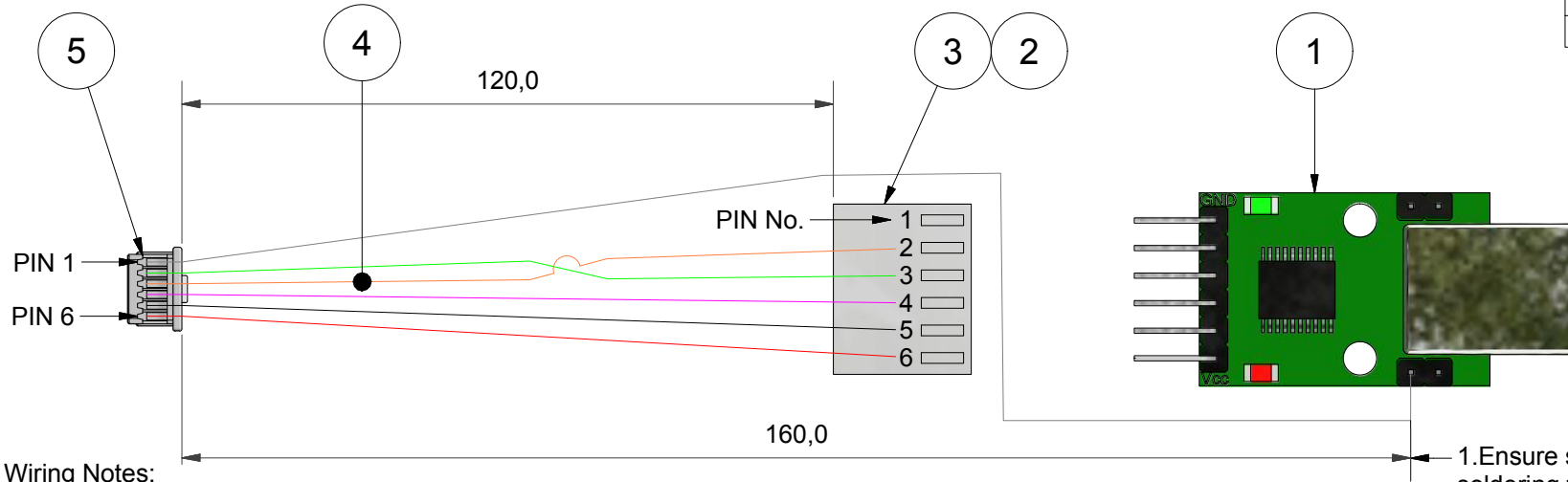


**α Iphasense Ltd**  
 Issued By: *R.Boyce*  
 30/04/2015  
**UNCONTROLLED**

Parts List			
ITEM	QTY	DESCRIPTION	PART NUMBER
1	1	USB-ISS Enhanced USB 12C Module	030-0011-00
2	5	Molex KK Crimp Terminal	032-0006-00
3	1	Molex 2.54mm KK Socket Housing (6way)	032-0016-00
4	3	Molex Cable Assembly (For SPI Adapter)	032-0028-00
5	1	Molex Pico Housing - 6 way - Clasp	032-0029-00
6	2	M3 Nyloc Nut	033-0022-00
7	2	M3 x 12 CSK Screw	033-0023-00
8	2	M3 Nylon Washer	034-0010-00
9	1	Cable Sleeve Black Silicone Rubber 1.25 ID	034-0021-00
10	2	Cable Sleeve Black Chloroprene 2.0 ID	034-0022-00
11	2	ABS CASE - Black (For OPC SPI Adapter) - Screw	035-0012-00
12	2	Light Pipe (For OPC SPI Adapter)	036-0004-00
13	1	ABS CASE - Modified (For OPC SPI Adapter) - Lid	835-0012-00
14	1	ABS CASE - Modified (For OPC SPI Adapter) - Base	835-0012-00

Material: As Parts	Tolerance Unless Stated Otherwise 2 Places: ±0.05mm 1 Place: ±0.10mm 0 Places: ±0.25mm	Drawn: Richard Boyce Date: 06/10/2014 Checked: Date:	<b>α Iphasense Ltd.</b> Braintree, Essex, CM777AA Tel: 01376 556700 FAX: 01376 335899 Title: <b>SPI Adapter for OPC</b>
Finish:	Angular: ±30' Slots/Holes: +0.1/-0.0	Drawing Number: <b>000-0SPI-00</b>	
Scale: 1 : 1	THIRD ANGLE PROJECTION	Issue: 01 Sheet: 1 of 2	
THIS DRAWING MUST NOT BE COPIED WITHOUT FIRST CONSULTING αIPHASENSE LTD. COPYRIGHT © 2014			

ISSUE	CIN No	DATE	SIG
01	ORIG	06/10/14	RB



**AlphaSense Ltd**  
 Issued By: *R.Boyce*  
 30/04/2015  
**UNCONTROLLED**

**Wiring Notes:**

Wires (Item 4) come pre-fitted with crimps.  
 Take three 300mm wires and cut to 120mm.  
 Cut two of the remaining half wires to 120mm. (Ensuring the cut is made from the excess wire end. Not the crimp end).  
 Cut the last remaining wire half to 160mm. (Ensuring the cut is made from the excess wire end. Not the crimp end).  
 Wire colours shown are for pin-out clarity only. Actual wires have black insulation.  
**Ensure the crimps are the correct way up and inserted fully into the housing so that the retaining tab of the crimp locks into the housing.**

- 1.Ensure sleeve (item 9) is fitted to wire before soldering this wire/pin.
- 2.Slide sleeve over solder joint.

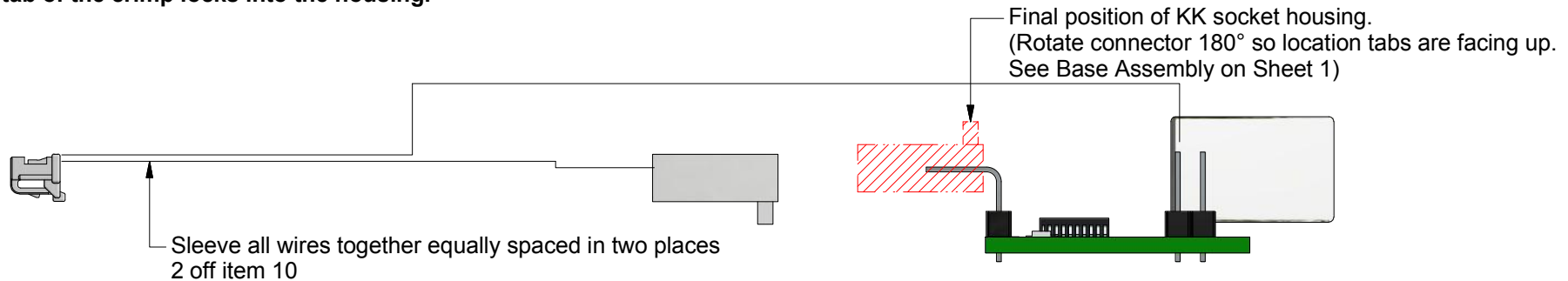


Table				Material: <b>AS PARTS</b>	Tolerance Unless Stated Otherwise	Drawn: Richard Boyce	<b>AlphaSense Ltd.</b> Braintree, Essex, CM777AA Tel:01376 556700 FAX:01376 335899	
Pico Clasp	Function	USB-SPI Pin	Function				Finish:	Date:06/10/2014
1	V In	See Drawing	Power	Scale: 1 : 1	2 Places: ±0.05mm 1 Place: ±0.10mm 0 Places: ±0.25mm	Checked:	<b>000-0SPI-00</b>	
2	SCK	3	SCK		Angular: ±30'	Date:		Drawing Number:
3	SDO	2	SDI	THIRD ANGLE PROJECTION	Slots/Holes: +0.1/-0.0	Issue: 01		
4	SDI	4	SDO	THIS DRAWING MUST NOT BE COPIED WITHOUT FIRST CONSULTING ALPHASENSE LTD. COPYRIGHT© 2014			Sheet:2 of 2	
5	/SS	5	/CE			000-0SPI-00		
6	GND	6	GND			Issue: 01		